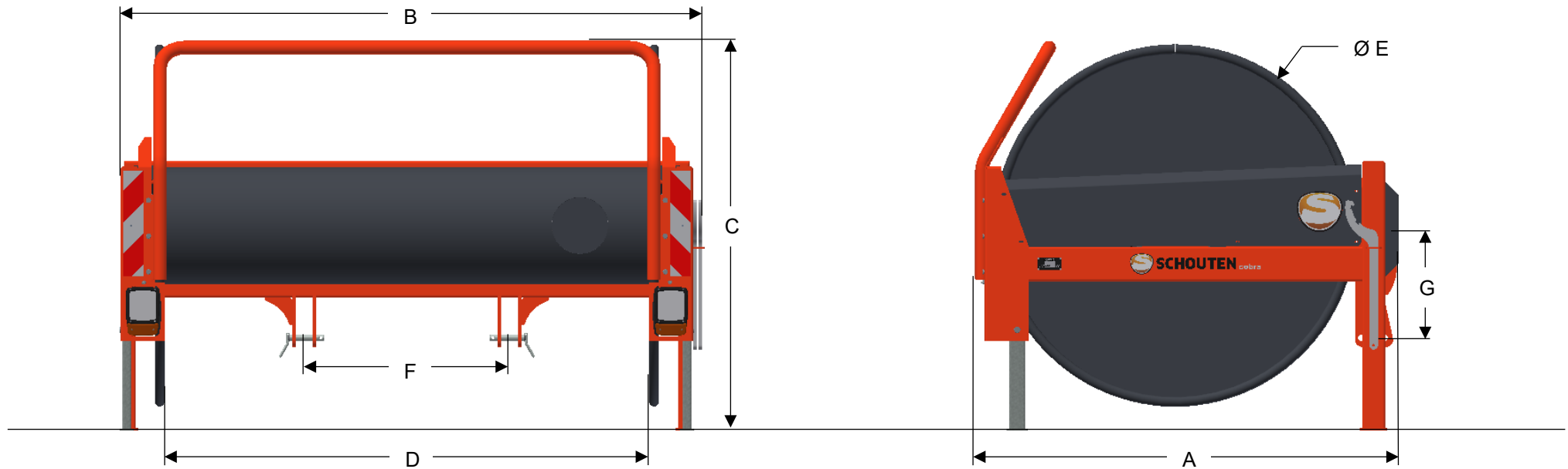


COBRA H160



DIMENSIONS

A	LENGTH	1840 MM	E	SPOOLDIAMETER	1570 MM
B	WIDTH	1900 MM	F	HITCH WIDTH	890 MM
C	HEIGHT	1690 MM	G	DISTANCE LIFT PIN – LINK PIN	520-590 MM
D	SPOOLWIDTH	1600 MM			

COBRA H160

MACHINE INFORMATION

TYPE	H160
WEIGHT	850 KG
HITCH TYPE	3-POINTS CAT II
HOSE CAPACITY	700 MTR 5"

DRIVE SPOOLS	HYDRAULIC/CHAIN
HYDRAULIC MOTORS/SPOOL	2X OMS200
DRIVE PROTECTION	HYDR. OVERPRESSURE

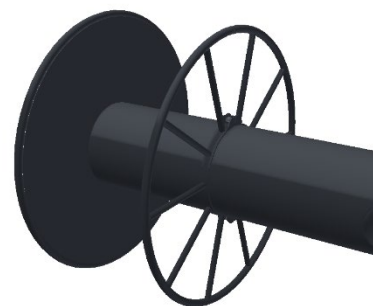
OPTIONS



FRONTLIGHTING



BACKLIGHTING



ADJUSTABLE PARTITION